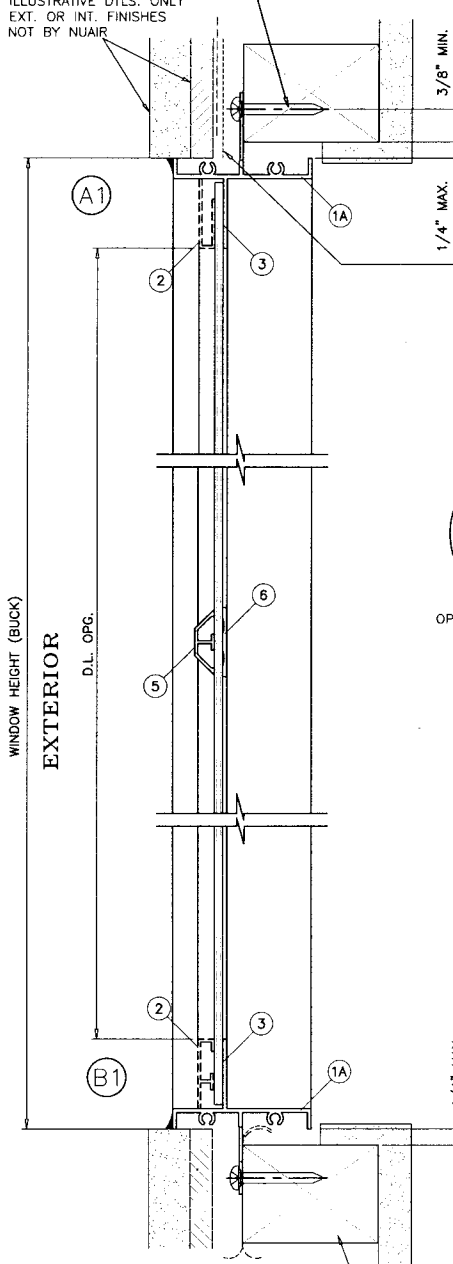


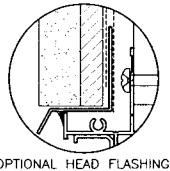
ILLUSTRATIVE DTLS. ONLY
EXT. OR INT. FINISHES
NOT BY NUAIR

TYPICAL ANCHORS
SEE ELEV. FOR SPACING



----- WEATHER RESISTANT BARRIER
----- FLEXIBLE FLASHING

WEATHERPROOFING:
FLEXIBLE FLASHING SHOULD BE INSTALLED IN A WEATHERBOARD FASHION. THE TOP LAYER SHOULD OVERLAY ANY LAYER UNDERNEATH IT. THE WEATHER RESISTANT BARRIER SHOULD THEN COVER THE FLEXIBLE FLASHING AT THE HEADER. THE APPLICATION OF THE WEATHER RESISTANT BARRIER WILL VARY BASED ON WHEN IT IS INSTALLED. IF INSTALLED AFTER THE WINDOW, IT SHOULD BE TUCKED UNDER THE SILL FLASHING AND OVERLAP THE JAMBS AND HEAD FLASHING.



FIN FRAME WINDOW

FAILURE TO SUPPORT THE FRAME USING SHIMS AT EACH FASTENER MAY RESULT IN GLASS BREAKAGE. INSTALLER MUST USE A HIGH-QUALITY, ADHESIVE CAULK UNDER THE FIN OR FLANGE.

ANCHORS TO BE SPACED AS FOLLOWS:
-ALL ANCHORS NO MORE THAN 4" FROM EACH CORNER.
-1/4" MASONRY ANCHORS TO BE NO LESS THAN 23" CENTER TO CENTER, OR AT PRE-PUNCHED LOCATIONS.
-SM SCREWS INSTALLED THROUGH FIN FRAMES TO BE NO LESS THAN 22" CENTER TO CENTER.
-DECKING SCREWS INSTALLED THROUGH FIN FRAMES TO BE NO LESS THAN 10" CENTER TO CENTER.

TYPICAL ANCHORS:

#10 SMS
INTO WOOD FL # 0027689
1-3/8" MIN. PENETRATION INTO WOOD

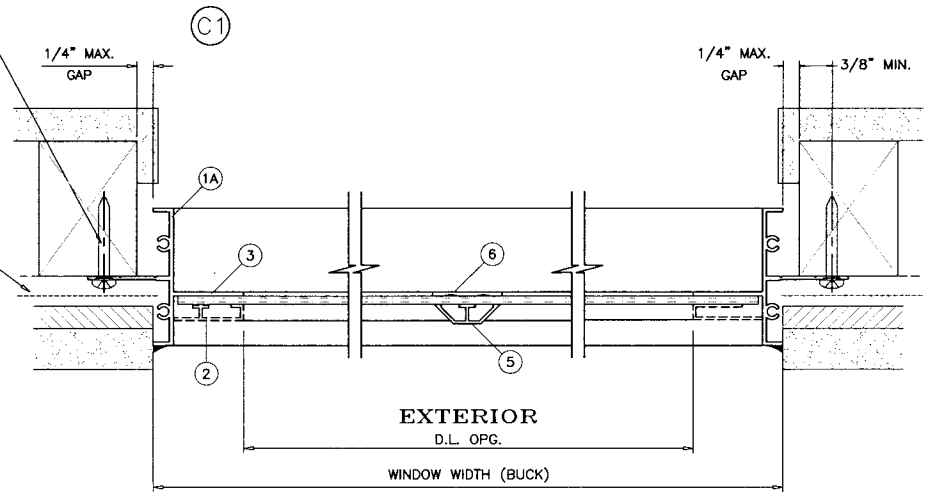
#10 SMS OR SELF DRILLING SCREWS

INTO APPROVED MULLIONS
(NO SHIM SPACE)

SEALANTS:

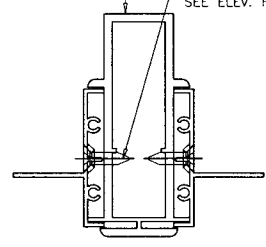
FRAME CORNERS SEALED WITH JOINT SEALANT.

TYPICAL ANCHORS
SEE ELEV. FOR SPACING

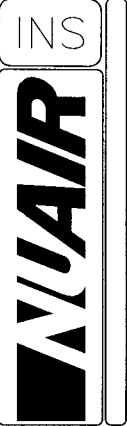


APPROVED MULLION
SEE SEPARATE NOA

TYPICAL ANCHORS
SEE ELEV. FOR SPACING



WOOD BUCKS NOT BY NUAIR, MUST SUSTAIN LOADS IMPOSED BY GLAZING SYSTEM AND TRANSFER THEM TO THE BUILDING STRUCTURE.



SERIES-975 FIXED WINDOW (NON-IMPACT)
NUAIR WINDOWS AND DOORS
8105 ANDERSON ROAD
TAMPA, FL 33684
TEL. (800) 282-6627 FAX (813) 866-9737

revisions:	no	date	by	description
09/08/05	1		JR	

THIS DOCUMENT MUST BE SIGNED

AND SEALED TO BE VALID.

James B. Whittum, P.E.
FL # 0027689
8533 Acorn Ridge Ct.
Tampa, Florida 33625
813-926-9719

James B. Whittum

SEP 16 2005

date: 09/08/05
scale: 1/2" = 1"
dr. by: JR
chk. by:

drawing no. PW975
SHEET 3