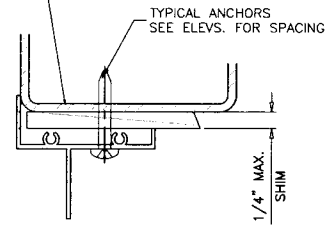


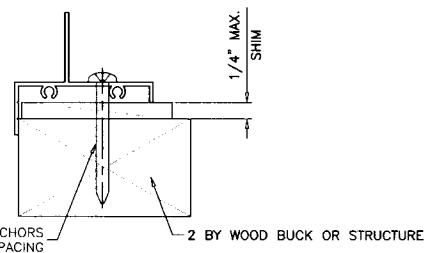
METAL FL # 0027689
 (STEEL OR ALUM. 1/8" MIN. THICK)
 STEEL : Fy = 36 KSI MIN.
 ALUMINUM : 6063-T5 MIN.



FLANGE FRAME WINDOW

FAILURE TO SUPPORT THE FRAME USING SHIMS AT EACH FASTENER MAY RESULT IN GLASS BREAKAGE. INSTALLER MUST USE A HIGH-QUALITY, ADHESIVE CAULK UNDER THE FIN OR FLANGE.

ANCHORS TO BE SPACED AS FOLLOWS:
 -ALL ANCHORS NO MORE THAN 4" FROM EACH CORNER
 -1/4" MASONRY ANCHORS TO BE NO LESS THAN 23" CENTER TO CENTER, OR AT PRE-PUNCHED LOCATIONS.
 -SM SCREWS INSTALLED THROUGH FIN FRAMES TO BE NO LESS THAN 22" CENTER TO CENTER.
 -DECKING SCREWS INSTALLED THROUGH FIN FRAMES TO BE NO LESS THAN 10" CENTER TO CENTER.



TYPICAL ANCHORS:

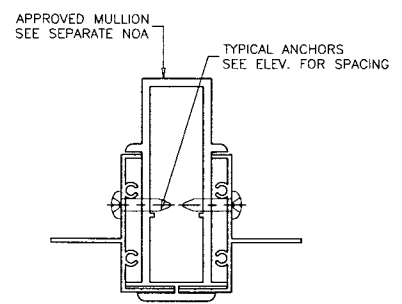
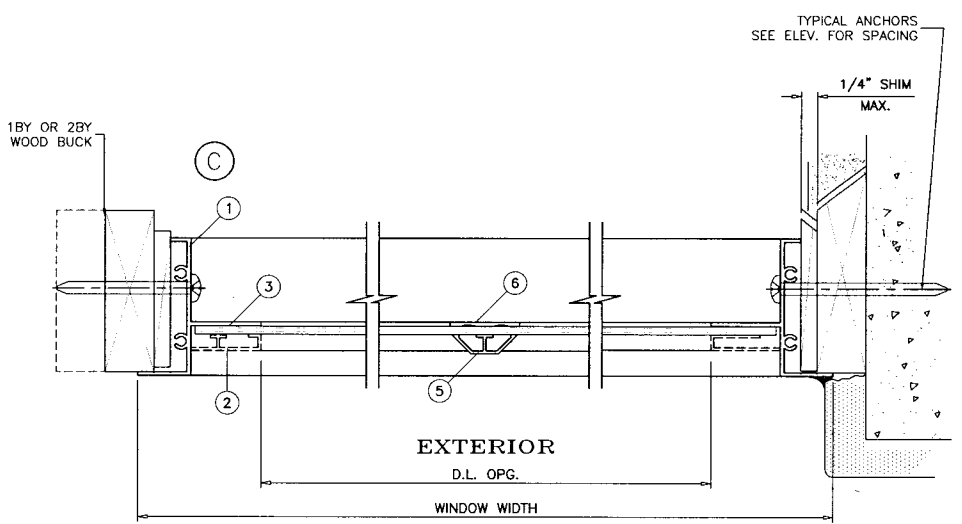
1/4" MASONRY ANCHORS
 INTO 2BY WOOD BUCKS OR WOOD STRUCTURE
 1-3/8" MIN. PENETRATION INTO WOOD
 THRU 1BY WOOD BUCKS INTO MASONRY OR DIRECTLY INTO MASONRY
 1-1/4" MIN. EMBED INTO MASONRY
 DIRECTLY INTO CONCRETE
 1-1/4" MIN. EMBED INTO MASONRY

3/16" DRILLFLEX SELF DRILLING SCREWS
 INTO METAL FL # 0027689 (1/8" MIN. THICKNESS)

#10 SMS
 INTO APPROVED MULLIONS (NO SHIM SPACE)

SEALANTS:
 FRAME CORNERS SEALED WITH JOINT SEALANT.

WOOD BUCKS NOT BY NUAIR, MUST SUSTAIN LOADS IMPOSED BY GLAZING SYSTEM AND TRANSFER THEM TO THE BUILDING STRUCTURE.



AND SEALED TO BE VALID.
 James B. Whittum, P.E
 FL # 0027689
 8533 Acorn Ridge Ct.
 Tampa, Florida 33625
 813-926-9719

SEP 16 2005



SERIES-975 FIXED WINDOW (NON-IMPACT)
 NUAIR WINDOWS AND DOORS
 8105 ANDERSON ROAD
 TAMPA, FL, 33684
 TEL. (800) 282-6627 FAX (813) 886-9737

revisions: no	date	description

date: 09/09/05
 scale: 1/2" = 1"
 dr. by: JR
 chk. by:

drawing no.
 PW975
 SHEET 2

THIS DOCUMENT MUST BE SIGNED