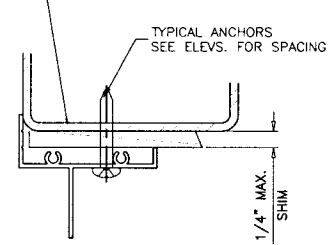


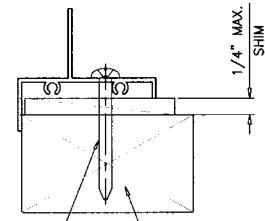
METAL FL # 0027689
 (STEEL OR ALUM. 1/8" MIN. THICK)
 STEEL : $F_y = 36$ KSI MIN.
 ALUMINUM : 6063-T5 MIN.



FLANGE FRAME WINDOW

FAILURE TO SUPPORT THE FRAME USING SHIMS AT EACH FASTENER MAY RESULT IN GLASS BREAKAGE. INSTALLER MUST USE A HIGH-QUALITY, ADHESIVE CAULK UNDER THE FIN OR FLANGE.

ANCHORS TO BE SPACED AS FOLLOWS:
 -ALL ANCHORS NO MORE THAN 4" FROM EACH CORNER.
 -1/4" MASONRY ANCHORS TO BE NO LESS THAN 23" CENTER TO CENTER, OR AT PRE-PUNCHED LOCATIONS.
 -SM SCREWS INSTALLED THROUGH FIN FRAMES TO BE NO LESS THAN 22" CENTER TO CENTER.
 -DECKING SCREWS INSTALLED THROUGH FIN FRAMES TO BE NO LESS THAN 10" CENTER TO CENTER.



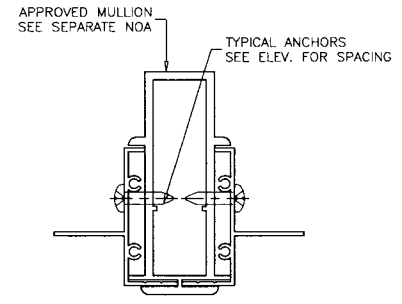
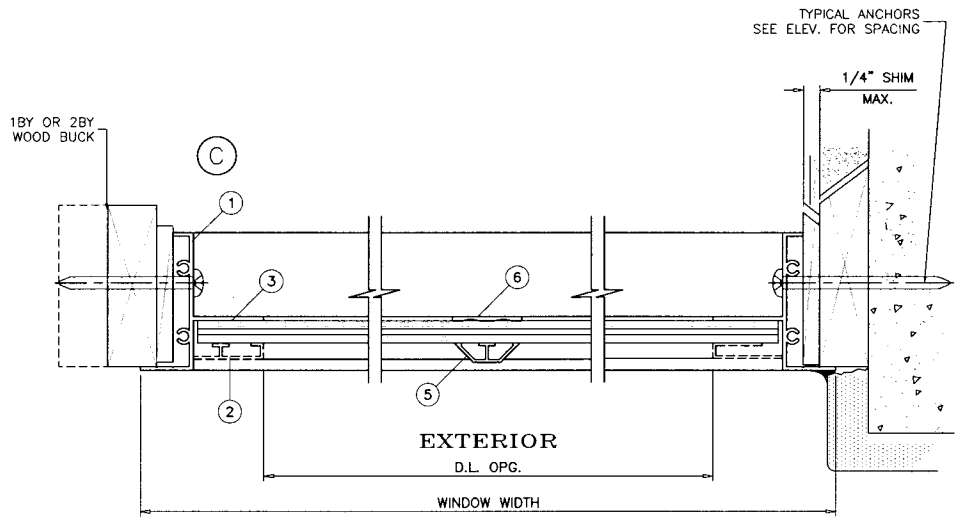
TYPICAL ANCHORS SEE ELEV. FOR SPACING
 TYPICAL ANCHORS SEE ELEV. FOR SPACING
 2 BY WOOD BUCK OR STRUCTURE

TYPICAL ANCHORS:

1/4" MASONRY ANCHORS
 INTO 2BY WOOD BUCKS OR WOOD STRUCTURE
 1-3/8" MIN. PENETRATION INTO WOOD
 THRU 1BY WOOD BUCKS INTO MASONRY OR DIRECTLY INTO MASONRY
 1-1/4" MIN. EMBED INTO MASONRY
 DIRECTLY INTO CONCRETE
 1-1/4" MIN. EMBED INTO MASONRY
3/16" DRILLIFLEX SELF DRILLING SCREWS
 INTO METAL FL # 0027689 (1/8" MIN. THICKNESS)

#10 SMS
 INTO APPROVED MULLIONS (NO SHIM SPACE)

SEALANTS:
 FRAME CORNERS SEALED WITH JOINT SEALANT.



THIS DOCUMENT MUST BE SIGNED AND SEALED TO BE VALID.
 James B. Whittum, P.E.
 FL # 0027689
 8533 Acorn Ridge Ct.
 Tampa, Florida 33625
 813-926-9719
 SEP 16 2005

WOOD BUCKS NOT BY NUAIR, MUST SUSTAIN LOADS IMPOSED BY GLAZING SYSTEM AND TRANSFER THEM TO THE BUILDING STRUCTURE.



SERIES-9000 ALUM. FIXED WINDOW (IMPACT)
 NUAIR WINDOWS AND DOORS
 8105 ANDERSON ROAD
 TAMPA, FL. 33684
 TEL. (800) 282-6627 FAX (813) 886-9737

no	date	by	description

date: 09/09/05
 scale: 1/2" = 1"
 dr. by: JWR
 chk. by:

drawing no.
 PW9000
 SHEET 2