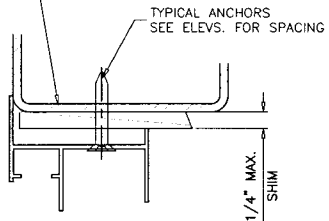
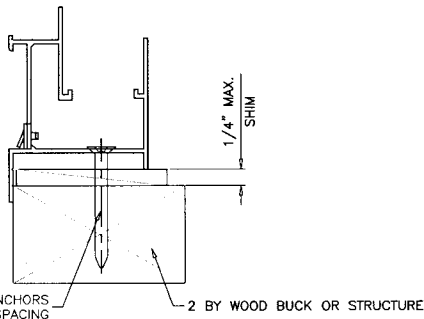


METAL FL # 0027689
 (STEEL OR ALUM. 1/8" MIN. THICK)
 STEEL : Fy = 36 KSI MIN.
 ALUMINUM : 6063-T5 MIN.



FLANGE FRAME WINDOW

FAILURE TO SUPPORT THE FRAME USING SHIMS AT EACH FASTENER MAY RESULT IN GLASS BREAKAGE. INSTALLER MUST USE A HIGH-QUALITY, ADHESIVE CAULK UNDER THE FIN OR FLANGE.



WOOD BUCKS NOT BY NUAIR, MUST SUSTAIN LOADS IMPOSED BY GLAZING SYSTEM AND TRANSFER THEM TO THE BUILDING STRUCTURE.

TYPICAL ANCHORS:

1/4" TAPCONS
 OR EQUIV. MASONRY ANCHORS
 INTO 2BY WOOD BUCKS OR WOOD STRUCTURE
 1-3/8" MIN. PENETRATION INTO WOOD
 THRU 1BY WOOD BUCKS INTO MASONRY OR DIRECTLY INTO MASONRY
 1-1/4" MIN. EMBED INTO MASONRY
 DIRECTLY INTO CONCRETE
 1-1/4" MIN. EMBED INTO CONC.

3/16" DRILLFLEX SELF DRILLING SCREWS
 INTO METAL FL # 0027689 (1/8" MIN. THICKNESS)

#10 SMS
 INTO APPROVED MULLIONS (NO SHIM SPACE)

WEEPHOLES:

W1 = 1" X 1/4" WEEP HOLE WITH PLASTIC BAFFLE
 AT 5" FROM EACH END AND AT MID SPAN

ANCHORS TO BE SPACED AS FOLLOWS:

- ALL ANCHORS NO MORE THAN 4" FROM EACH CORNER.
- 1/4" MASONRY ANCHORS TO BE NO LESS THAN 23" CENTER TO CENTER, OR AT PRE-PUNCHED LOCATIONS.
- SM SCREWS INSTALLED THROUGH FIN FRAMES TO BE NO LESS THAN 22" CENTER TO CENTER.
- DECKING SCREWS INSTALLED THROUGH FIN FRAMES TO BE NO LESS THAN 10" CENTER TO CENTER.

THIS DOCUMENT MUST BE SIGNED AND SEALED TO BE VALID.

James B. Whittum, P.E.
 FL # 0027689
 8533 Acorn Ridge Ct.
 Tampa, Florida 33625
 813-926-9719

James B. Whittum
 SEP 16 2005



SERIES-975 ALUM H ROLLER WINDOW (NON-IMPACT)
 NUAIR WINDOWS AND DOORS
 8105 ANDERSON ROAD
 TAMPA, FL 33684
 TEL. (800) 282-6627 FAX (813) 886-9737

no.	date	description

date: 09/09/05
 scale: 1/2" = 1"
 dr. by: JR
 chk. by:

drawing no.
 HR975
 SHEET 2