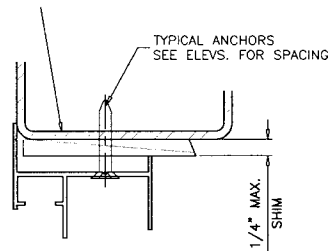
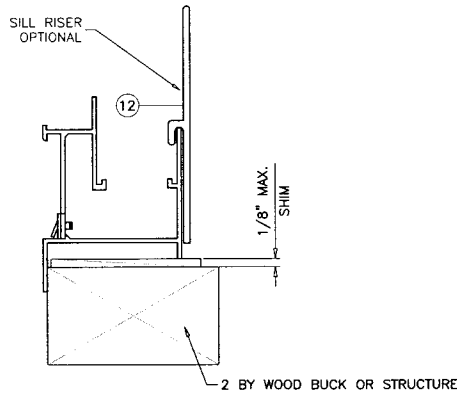


METAL FL # 0027689  
 (STEEL OR ALUM. 1/8" MIN. THICK)  
 STEEL :  $F_y = 36$  KSI MIN.  
 ALUMINUM : 6063-T5 MIN.



**FLANGE FRAME WINDOW**

FAILURE TO SUPPORT THE FRAME USING SHIMS AT EACH FASTENER MAY RESULT IN GLASS BREAKAGE. INSTALLER MUST USE A HIGH-QUALITY, ADHESIVE CAULK UNDER THE FIN OR FLANGE.



WOOD BUCKS NOT BY NUAIR, MUST SUSTAIN LOADS IMPOSED BY GLAZING SYSTEM AND TRANSFER THEM TO THE BUILDING STRUCTURE.

**TYPICAL ANCHORS:**

- 1/4" TAPCONS
- OR EQUIV. MASONRY ANCHORS
- INTO 2BY WOOD BUCKS OR WOOD STRUCTURE
- 1-3/8" MIN. PENETRATION INTO WOOD
- THRU 1BY WOOD BUCKS INTO MASONRY OR DIRECTLY INTO MASONRY
- 1-1/4" MIN. EMBED INTO MASONRY
- DIRECTLY INTO CONCRETE
- 1-1/4" MIN. EMBED INTO CONC.
- 3/16" DRILLFLEX SELF DRILLING SCREWS
- INTO METAL FL # 0027689 (1/8" MIN. THICKNESS)

#10 SMS  
 INTO APPROVED MULLIONS (NO SHIM SPACE)

**WEEPHOLES:**

W1 = 1" X 1/4" WEEP HOLE WITH PLASTIC BAFFLE  
 AT 5" FROM EACH END AND AT MID SPAN

**ANCHORS TO BE SPACED AS FOLLOWS:**

- ALL ANCHORS NO MORE THAN 4" FROM EACH CORNER.
- 1/4" MASONRY ANCHORS TO BE NO LESS THAN 23" CENTER TO CENTER, OR AT PRE-PUNCHED LOCATIONS.
- SM SCREWS INSTALLED THROUGH FIN FRAMES TO BE NO LESS THAN 22" CENTER TO CENTER.
- DECKING SCREWS INSTALLED THROUGH FIN FRAMES TO BE NO LESS THAN 10" CENTER TO CENTER.

AND SEALED TO BE VALID.  
 James B. Whittum, P.E.  
 FL # 0027689  
 8533 Acorn Ridge Ct.  
 Tampa, Florida 33625  
 813-926-9719

SEP 16 2005  
*James B. Whittum*



SERIES-900 ALUM. H. ROLLER WINDOW (NON-IMPACT)  
 NUAIR WINDOWS AND DOORS  
 8105 ANDERSON ROAD  
 TAMPA, FL. 33684  
 TEL. (800) 282-6627 FAX (813) 866-9737

no.	date	description

date: 09/09/05  
 scale: 1/2" = 1"  
 dr. by: JBR  
 chk. by:

drawing no.  
 HR900  
 SHEET 2

THIS DOCUMENT MUST BE SIGNED